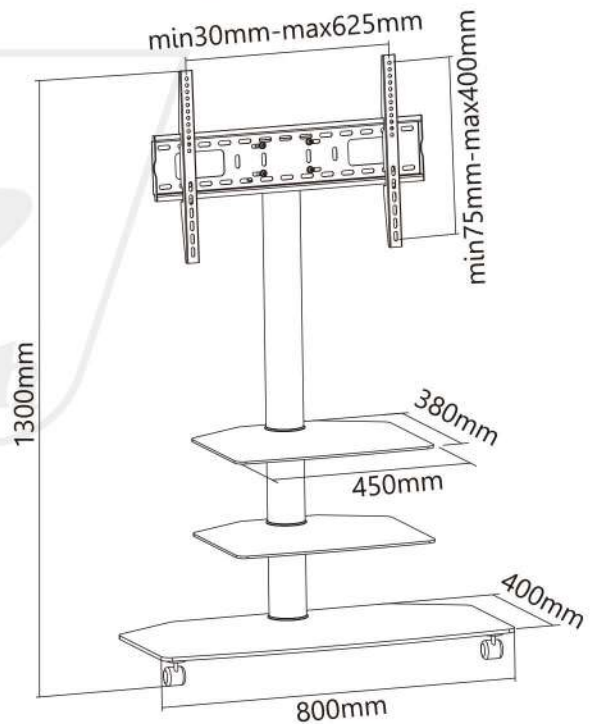


SH 301FS

Glass and Metal TV Stands



Material: Aluminum, Tempered Glass
Dimension: 800x400x1300mm
(31.5"x15.8"x51.2")
Screen Size: 32" ~ 55"
Weight Capacity: 30kg/66lbs
VESA: 600x400
Swivel Range: +15° ~ -15°



Large Sturdy Base with Locking Casters ensures increased stability and safety.



Swivel bracket for optimum visual experiences.